

Typical Performance Technical Data Sheet

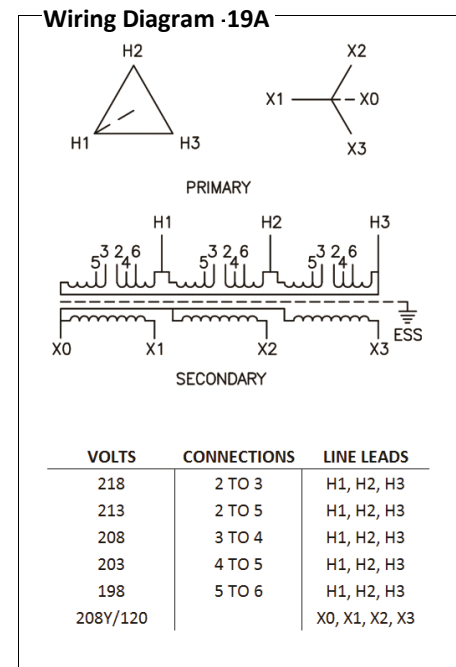


Catalog No. T20SB2Y-112

Characteristics	
Phase	3
KVA	112
Primary	208Δ
Secondary	208Y/120
Conductor	Aluminum
Temp. Rise	80° C
Frequency	60 HZ
Taps	+2, -2 x 2.5%
ESS	Yes
Insulation	220° C
Weathershield	WS-10B
Wall Bracket	NONE
Weight (lbs)	1205
Sound (dB)	50

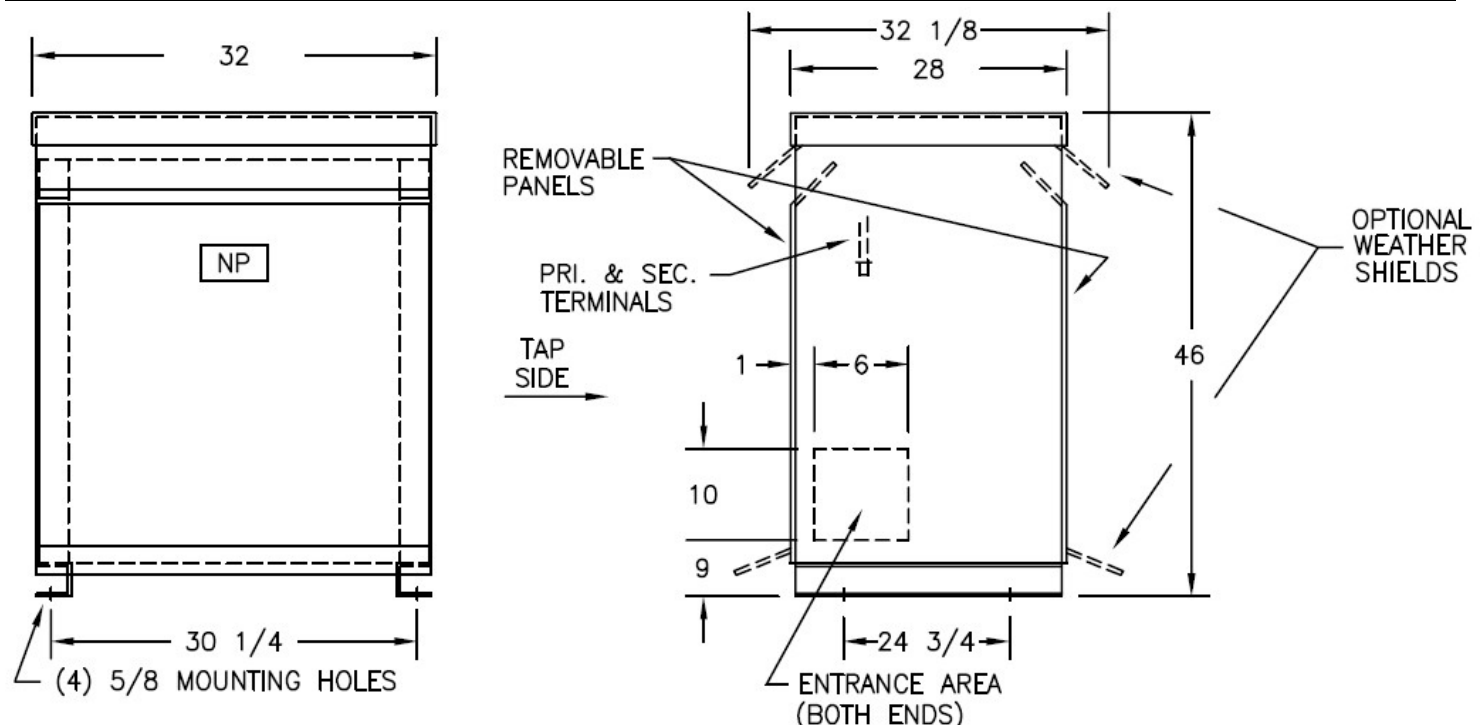
Typical Performance @ 100° C	
Regulation @ 100% PF	1.6%
Regulation @ 80% PF	3.0%
Impedance	3.3%
No Load Losses (W)	232
Full Load Losses (W)	1,764

AMP Ratings	
Line In (Primary) @ 208V	311 A
Load (Secondary) @ 208V	311 A



Notes

All units are UL listed and are designed in accordance with applicable NEMA, ANSI and IEEE standards.
 Transformers are dry-type AA, ventilated NEMA 2 enclosure.
 If a weathershield is indicated above this transformer can be converted to a NEMA 3R enclosure.
 Transformers are floor mounted. Wall mounting bracket kit if shown above is optional and is supplied as a separate accessory.
 Paint color is ANSI 61.



Outline No: 08A6251

Meets 10 CFR 431(DOE 2016) Efficiency
 Dry Type Transformer General Purpose

© 2017 Electro-Mechanical Corporation

For reference only
 Subject to change without notice